



## AH-K

**Duct heater**  
**Rectangular**  
**Warm water**  
**Airtightness EN 1751 LUKA C/ATC 3**

### Available types

**A H - K K - 25 - -**

- A** duct accessory
- H** warm-water heat exchanger

#### - Version

- 2** 2 rows
- 3** 3 rows
- 4** 4 rows
- 5** 5 rows
- 6** 6 rows

- K** primary rectangular air connection
- K** secondary rectangular air connection

#### - Water connection

- R** water connection right (standard)
- L** water connection left (on request)

- 25** fin distance is 2.5 mm
- number of circuits
- dimension W x H

### SA-Select

Check [SA-Select](#) to create extended order codes and selection details online. **NB!** At this moment, SA-Select is only available in Dutch. But it is possible to create extended order codes and selection details online.

### Use

The AH-K warm-water post-heater has been designed to be built into rectangular duct systems with DW20 or DW30 flanges, depending on the duct dimensions. The units can be combined with a VRV variable volume unit or a VCMR constant volume unit. See the relevant pages for the details of these units. The units can also be factory-set as a 3-in-1 solution.

### Characteristics

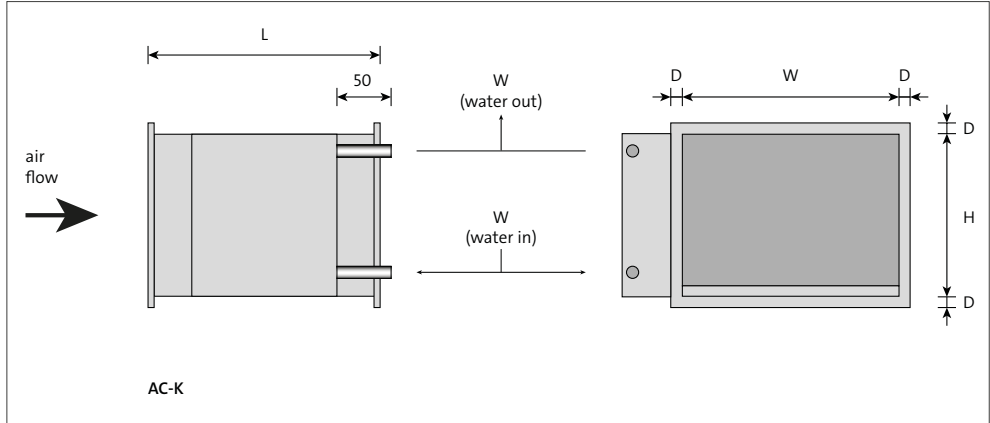
- The AH- K post-heaters are available in various versions.
- The connection dimensions can range from:  
W x H 200 x 200 mm to 2000 x 1600 mm.
- The post-heaters are available in various versions for HT ranges, such as 80 - 60 °C, and LT ranges, such as 45 - 35 °C.
- The post-heaters comply with LUKA C/ATC 3 in accordance with EN 1751.

### Version

Housing:	sendzimir galvanised steel sheet
Air connection	DW20 or DW30 flanges
Water connection:	male thread
Headers:	copper
Fins:	aluminium flat
Flange:	rectangular version in accordance with LUKA
Max. operating pressure:	10 bar
Test pressure:	16 bar

Drainage and bleeding option.

## Dimensions



### Available dimensions

L	number of rows
300	$\leq 6$
400	7 - 10

numbers of circuits	Headers Cu	$\varnothing$ Water
1 - 7	22	$\frac{1}{2}$ "
8 - 14	28	$\frac{3}{4}$ "
15 - 22	35	1"
23 - 26	42	$1\frac{1}{4}$ "

Flange size D	
W or H to 650 mm	W or H from 700 mm
20	30

All the interim sizes are available in 50 mm increments.

### Note

- The listed dimensions are in mm.
- The velocity over the finned surface is up to approx. 2.3 m/s.

### Fitting

- When you fit the post-heater, take note of the arrows for air direction and water in/out.
- Make sure the bleed nipple is easily accessible.