



BMDRSO

Weather louvre

Aluminium

Use

The round BMDRSO weather louvre is suitable for air supply or discharge.

Characteristics

Free flow: approx. 72 %

Version

Weather louvre

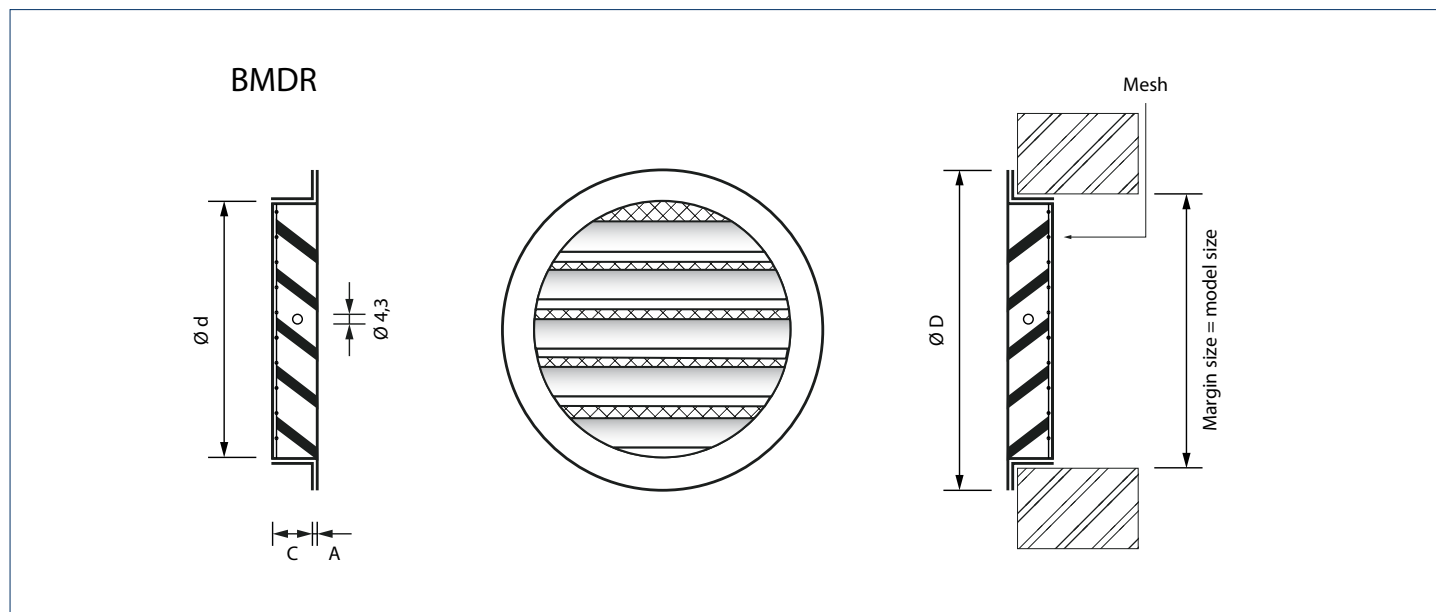
frame: aluminium
 vanes: aluminium
 post-treatment: none
 mesh: 10 x 10 mm, galvanised

Available types

B M D R S O

- B** weather louvre
- M** wall louvre
- D** extruded aluminium
- R** round
- S** mesh
- O** not applicable

Dimensions



Available dimensions, sizes and weights

model	d	D	A	C	kg
80	79	97	5	11	0.085
100	99	124	2	17	0.115
125	124	150	2	17	0.145
150	149	173	3	15	0.210
160	159	181	3	15	0.245
200	199	222	3,5	16,5	0.395
250	249	275	4	16	0.708
315	314	348	6,5	14,5	1.325
400	399	444	5	34	2.700
500	499	544	5	34	4.330

Note

- The dimensions are in mm.
- Also suitable for indoor use.

Fitting

- Depending on the use, sealant can be used.
- If mechanical strength is required, mount with a round duct in the recess.

Selection details

BMDRSO

air volume		model									
m ³ /s	m ³ /h	80	100	125	150	160	200	250	315	400	500
		Δp_t Pa	Δp_t Pa	Δp_t Pa	Δp_t Pa	Δp_t Pa	Δp_t Pa	Δp_t Pa	Δp_t Pa	Δp_t Pa	Δp_t Pa
0.010	36	31	9								
0.015	54	69	22	7							
0.020	72		40	12	7						
0.030	108		90	29	16	11					
0.040	144			52	29	20	7				
0.060	216				65	48	18	6			
0.080	288					90	30	11			
0.100	360						47	18	8		
0.150	540							45	16	6	
0.200	720							80	30	12	5
0.300	1080								80	31	13
0.400	1440									46	19

General

- It is permitted to interpolate the interim values.
- Pressure-loss data apply to drawing in air.

Correction data

- When air is discharged, the values in the table need to be corrected with the following factors:
 $\Delta p_t = \text{table value} \times 0.83$