

FDC25

Fire damper, round, damper blade 25 mm

CE marked in accordance with EN 15650:2010

Tested in accordance with EN 1366- 2

Classified in accordance with EN 13501- 3

LUKA C/ATC 3

Use

The round fire dampers type FDC25 can be used in fire and smoke-separating walls and floors. If they are incorporated in accordance with the instructions, there is a fire resistance of up to 120 minutes depending on how they are built in. The fire dampers have two standard inspection openings. For rapid fitting, the damper is available with a pre-fitted mounting frame. A smoke sensor is available as an optional accessory. For the classification list and the corresponding installation instructions, please see the manual on our website. Certified use requires compliance with the installation instructions in the [manual](#).

Characteristics

- Available in dimensions of Ø 100 to 315 mm.
- Fitting can be horizontal or vertical, in any flow direction.
- Two standard round inspection openings of 39 mm.
- Airtightness class C over the housing in accordance with EN1751 (LUKA C)/ATC3.
- Airtightness class 3 over the damper blade in accordance with EN1751.
- Hygiene certificate in accordance with VDI 6022.

Finish

housing:	galvanised sheet steel
damper blade:	heat-resistant thickness 25 mm
fusible link:	72 °C

Optional (information available on request)

- Galvanised sheet steel with internal and external powder coating.
- Stainless steel EN1.4301/EN1.4401/EN1.4404 (AISI 304/316/316L).
- Stainless steel EN1.4301/EN1.4401/EN1.4404 (AISI 304/316/316L) with internal and external powder coating.
- Motor-operated version with 95 °C fusible link.
- Belimo supply and/or communication module BKN-230-24-MOD.

For other versions, please ask our sales department.

Classified in accordance with EN 13501- 3

For a full classification overview with the various sealing methods, we refer to the [manual](#).

Available types

F D C 2 5 - - -

- F** fire-resistant
- D** damper
- C** round
- 25** damper blade thickness 25 mm

- Mounting frame

- O** none
- APP** applique
- MF1** mounting frame 1
- MF2** mounting frame 2

- Operation

- Manual
- R** without end switches
- RS** with end switches
- EMS-S** with solenoid 24/48 VDC and end switches, magnetic with a supply, (information available on request)

Motor-operated

- M24S** Belimo 24V
- M230S** Belimo 230V
- M24S-ST** Belimo 24V plug-and-play for connection to Belimo supply and/or communication modules
- EX** ATEX classified Schischek 230/24V servomotor explosion-safe (information available on request)

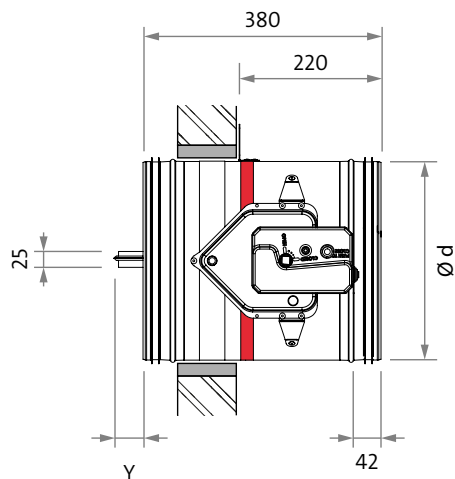
- Accessory

- O** none
- UG** smoke sensor (cannot be used in combination with operating option R, RS or EMS-S).

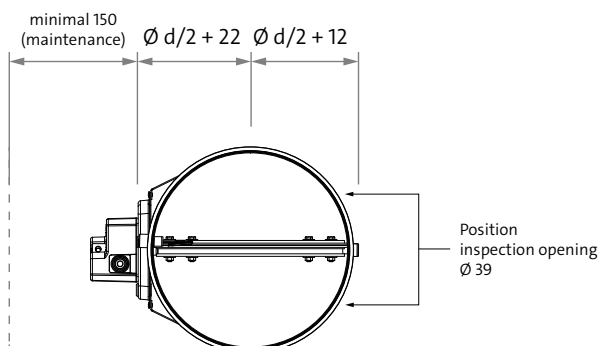
Check [SA-select](#) to create extended order codes and selection details online. **NB!** At this moment, SA-Select is only available in Dutch. But it is possible to create extended order codes and selection details online.

Dimensions

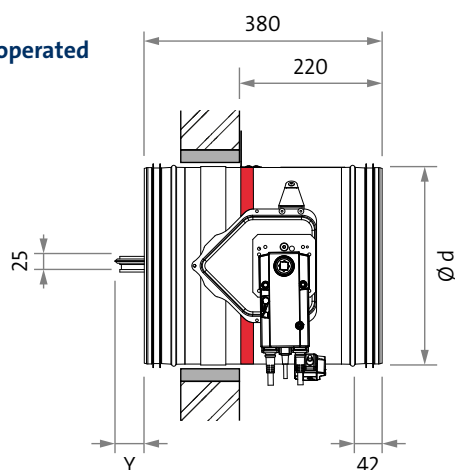
Manual



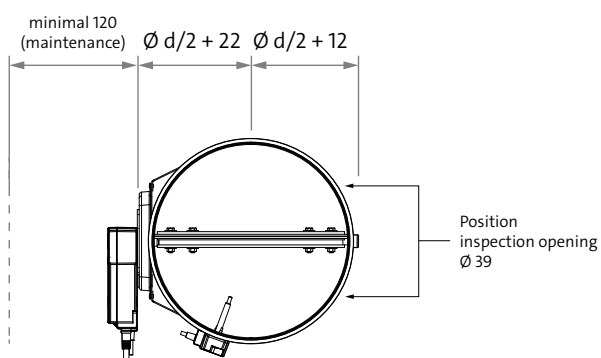
FDC25 O R



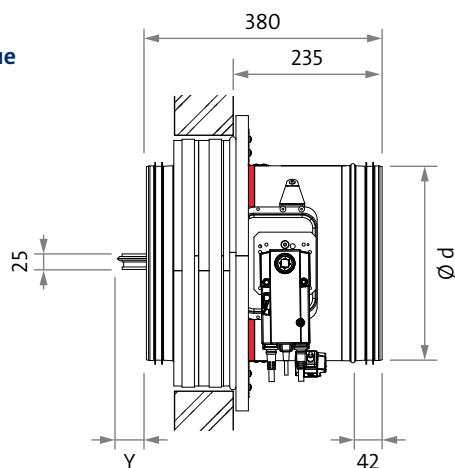
Motor-operated



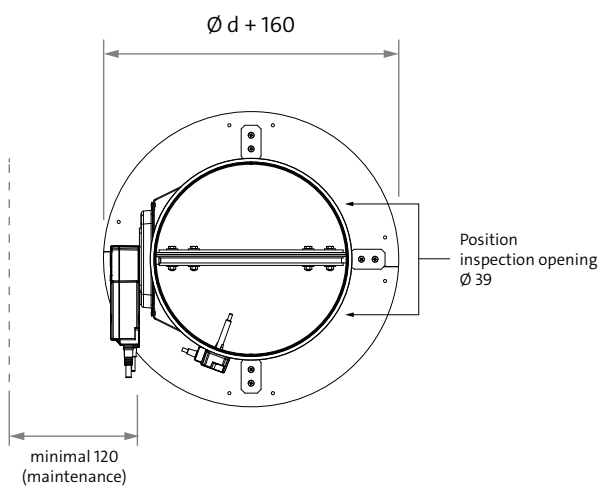
FDC25 O M



Applique

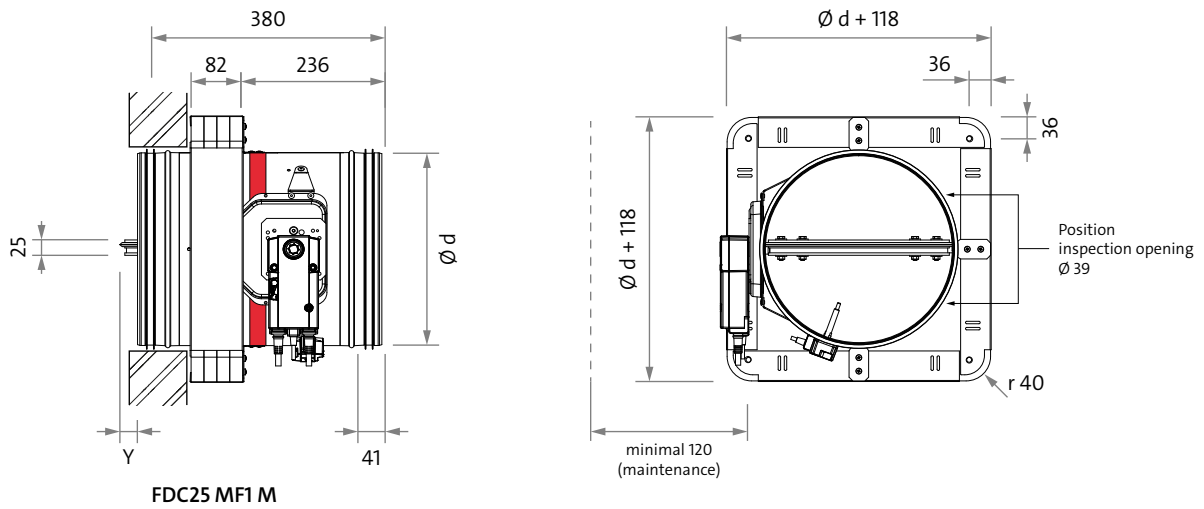


FDC25 APP M

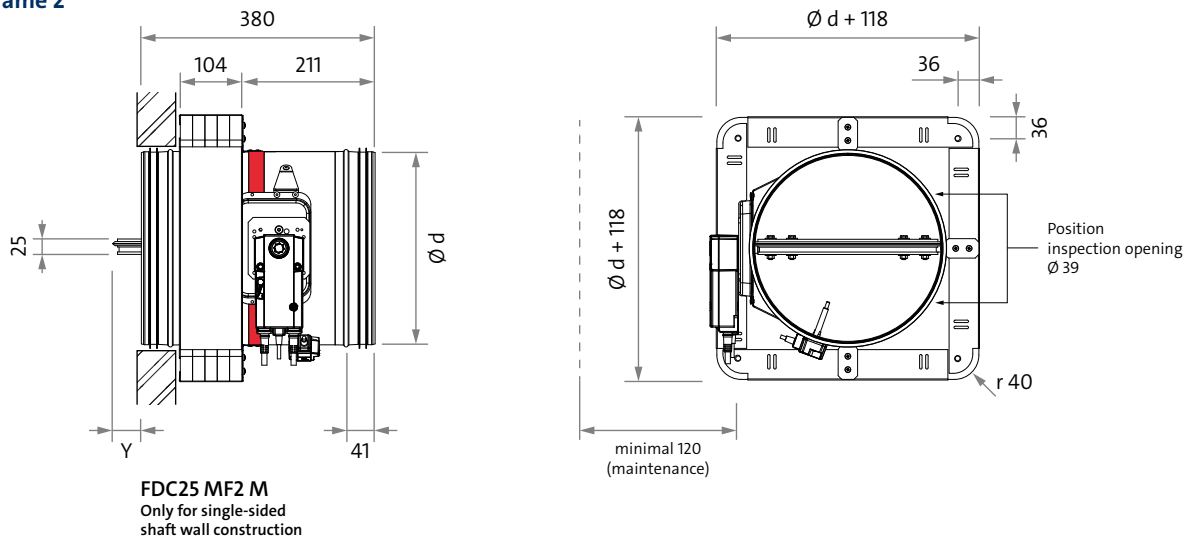


Dimensions

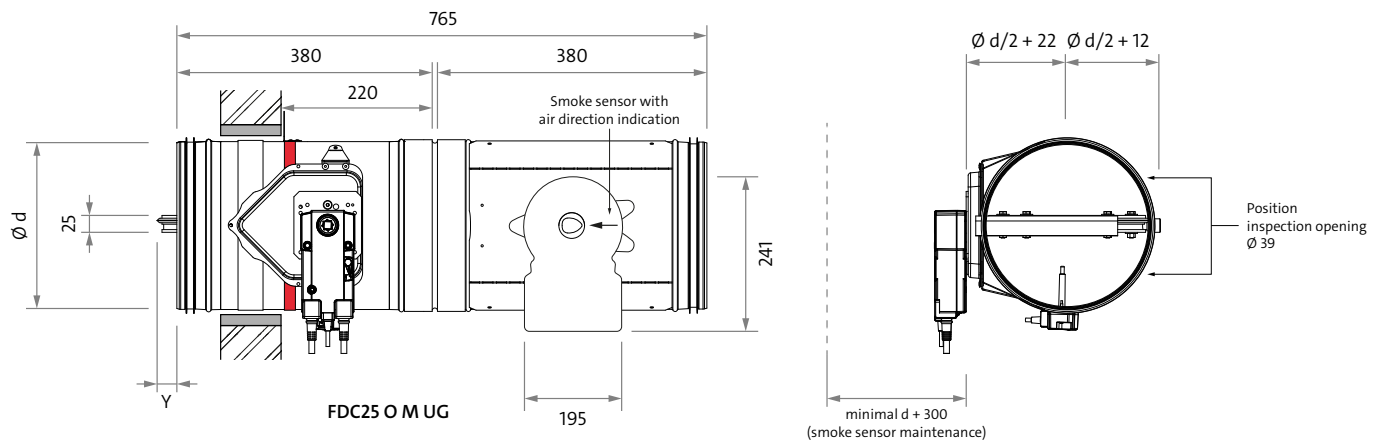
Mounting frame 1



Mounting frame 2



Smoke sensor



Available dimensions

model	d	free passage in m ²	Y	g
100	98	0.005	-	3.8
125	123	0.0087	-	4.2
160	158	0.0155	-	4.7
200	198	0.0256	-	5.4
250	248	0.0418	15	6.3
315	313	0.0687	48	7.7

Y = protruding length of the damper blade.

g = weight in kg (manual version without mounting frame).

For more specific information about the dimensions or weights per model, we refer to the [manual](#).

Comments

- The dimensions are in mm.
- Please visit our website to download the [manual](#), [declaration of performance \(DoP\)](#) and the [verification certificate of the declaration of performance](#).

Fitting

The fire damper is fitted, in a closed position, in line with statutory regulations in accordance with the [manual](#). If you use the smoke sensor, check the flow direction prior to fitting, and position the unit in such a manner that the air flows through the smoke sensor first and then through the fire damper. After fitting, check that the airflow direction marked on the sensor matches the actual airflow. Straight flow of 5 x Dhydraulic before the smoke sensor in the dimensions of the connecting duct work is recommended.

A clearance of approximately 300 mm is recommended for good access to the operating mechanism/servomotor.