



JTKH

Jet diffuser

Supply

Manual

Use

The JTKH jet diffuser is suitable for supplying cooled or heated air in large rooms.

The dischargedirectioncanbeadjustedmanuallyandisfixedbytightening the screws of the tightening unit. The diffuser has a standard transparent coating so that it can be used in humid areas or swimming pools. The design version means the diffuser can also be used in representative rooms.

Characteristics

Max. number of air changes:	up to 8 x
Undertemperature:	up to 10 K
Overtemperature:	up to 15 K

Version

Jet diffuser

frame:	anodised aluminium
post-treatment:	none

Optional

post-treatment:	epoxy
colour:	white RAL 9010, optional RAL colour of your choice

Accessory

volume unit:	sendzimir galvanised steel
--------------	----------------------------

SA-Select

[Check SA-select](#) to create extended order codes and selection details online. **NB!** At this moment, SA-Select is only available in Dutch. But it is possible to create extended order codes and selection details online.

Available types

JTKHO--A

- J jet diffuser
- T supply
- K ball-shaped
- H manual
- O none

- Accessories

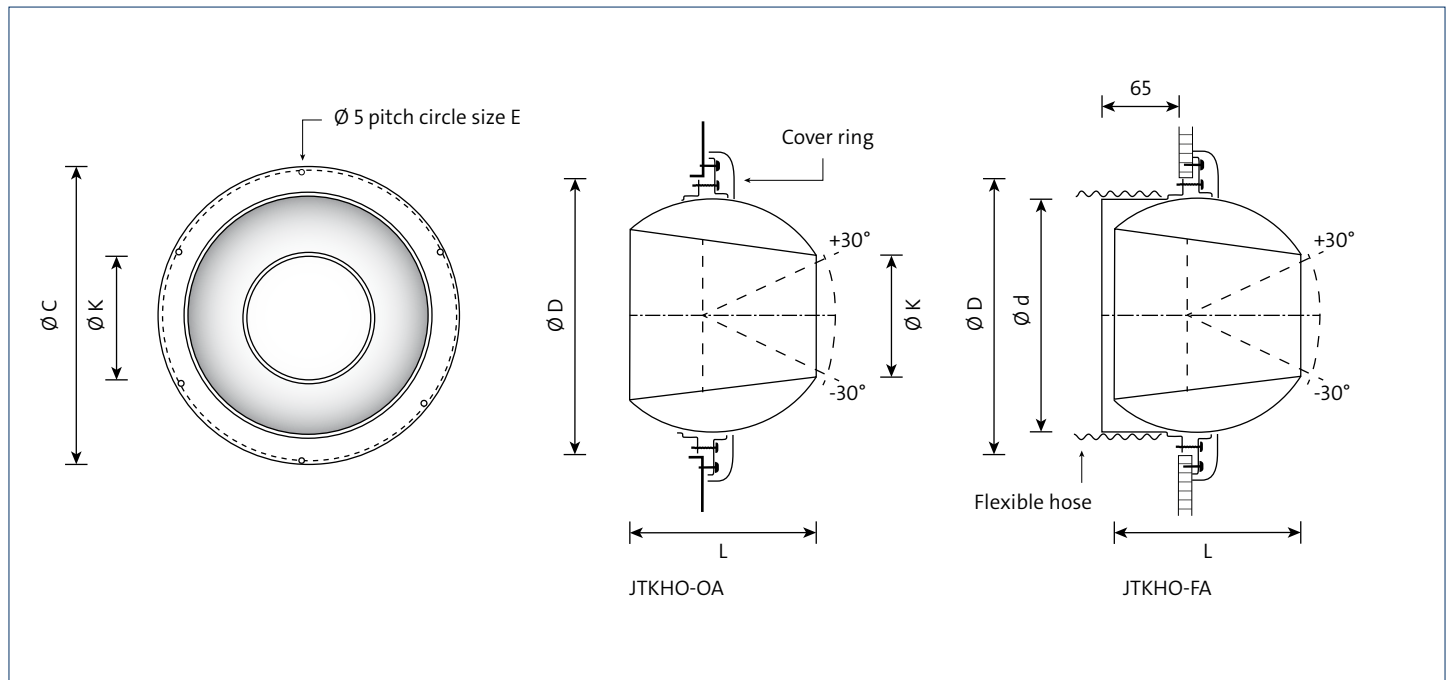
- O none
- V volume unit (model 80 to 230)

- Fitting

- O duct/wall mounting
- F with connection for flexible duct (model 80 to 230)

- A cover ring

Dimensions



Available dimensions and sizes

model	d	D	C	K	E	L
40	-	111	135	40	119	56
50	-	134	166	50	148	78
80	160	205	254	80	220	131
110	200	248	285	110	266	144
150	300	350	387	150	368	233
200	400	450	485	200	472	308
230	400	450	485	230	472	308

Note

- The dimensions are in mm.
- D is the recess size.
- Mounting screws are not supplied.
- The cone can be adjusted in all directions.

Selection details

JTKHO--A

air volume		model	throw m	Δp_s Pa	L_{pA} dB(A)
m ³ /s	m ³ /h				
0.010	36	40	8.1	40	10
		50	7.6	17	-
0.012	44	40	9.3	60	15
		50	8.8	25	-
0.014	52	40	10.3	84	20
		50	9.9	35	-
0.020	72	50	12.0	66	-
		80	9.7	10	-
0.025	90	50	13.4	102	13
		80	11.2	16	-
0.030	108	80	12.5	23	-
0.040	144	80	14.5	40	-
0.050	180	80	16.0	63	13
		110	13.3	18	-
0.060	216	80	17.3	90	17
		110	14.6	25	-
0.080	288	110	16.4	45	13
		150	13.5	13	-
0.100	360	110	18.0	70	19
		150	14.9	21	-
0.125	450	110	19.4	109	24
		150	16.3	32	-
0.150	540	150	17.4	46	14
		200	15.6	15	-
0.200	720	150	19.3	81	21
		200	17.4	26	-
		230	17.7	15	-
0.300	1,080	200	20.0	58	16
		230	20.4	33	10
0.400	1,440	200	21.8	102	24
		230	22.4	59	19

General

- The throw is given without ceiling influence.
- The pressure loss applies without a volume unit.
- The assumed room attenuation is 10 dB.
- It is permitted to interpolate the interim values.