

# JTKT

Jet diffuser

Supply

Thermal operation

## Use

The JTKT diffuser is suitable for supplying cooled or heated air in large rooms.

The diffuser has a thermal spring that adjusts the discharge angle on the basis of the primary air temperature.

This ensures that the diffuser blows downwards during heating and upwards during cooling.

The maximum turning angle is 60° (+ and - 30°) compared to the horizontal discharge direction.

This turning angle can be limited up or down with a mechanism that is built into the mounting ring. The diffuser has a standard transparent coating so that it can be used in humid areas or swimming pools. The design version means the diffuser can also be used in representative rooms.

## Characteristics

Max. number of air changes:	up to 8 x
Undertemperature:	up to 10 K
Overtemperature:	up to 15 K

## Version

### Jet diffuser

frame:	anodised aluminium
post-treatment:	none

### Optional

post-treatment:	epoxy
colour:	white RAL 9010, optional RAL colour of your choice

### Accessory

volume unit:	sendzimir galvanised steel
--------------	----------------------------

## SA-Select

[Check SA-select](#) to create extended order codes and selection details online. **NB!** At this moment, SA-Select is only available in Dutch. But it is possible to create extended order codes and selection details online.

## Available types

### JTKTO - OA

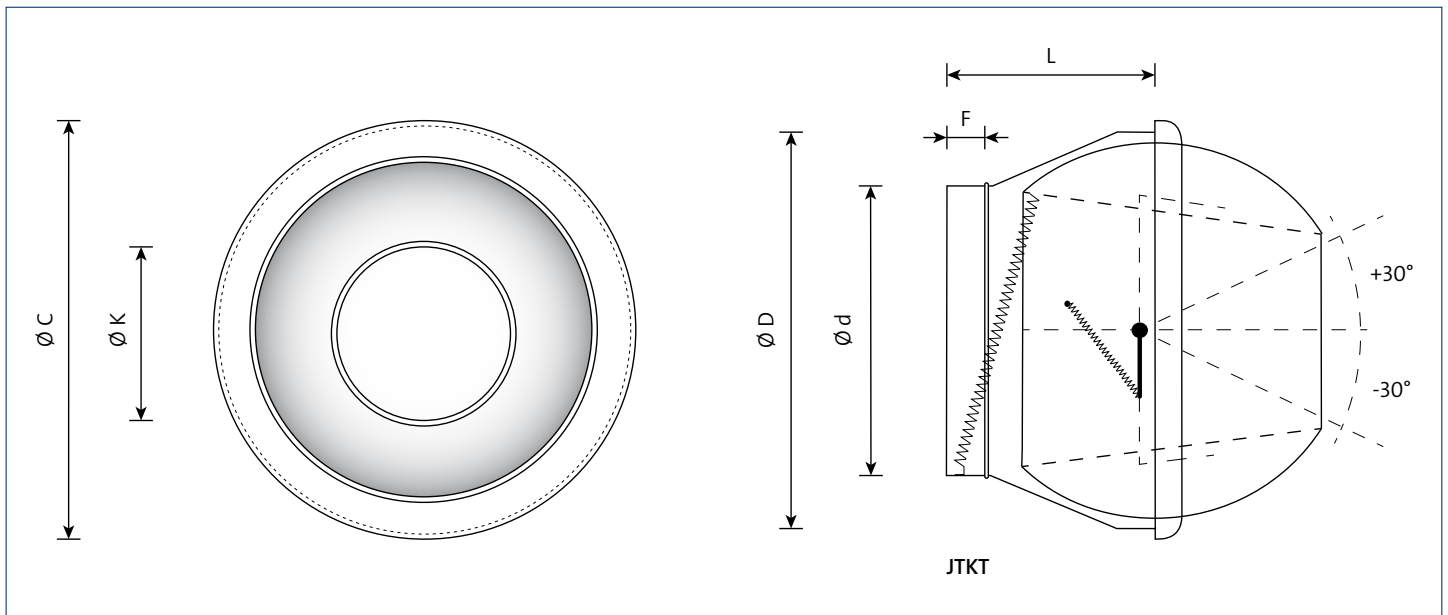
- J** jet diffuser
- T** supply
- K** ball-shaped
- T** thermal operation
- O** none

### - Accessories

- O** none
- V** volume unit

- O** mounting in spiro duct

## Dimensions



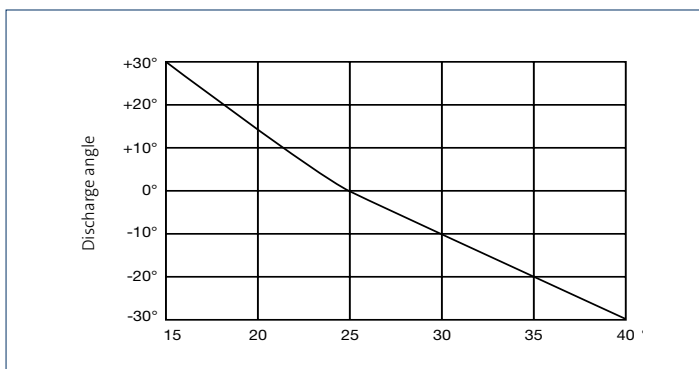
## Available dimensions and sizes

model	d	D	C	K	L	F
80	158	207	258	80	20	50
110	198	255	288	110	215	60
150	313	352	387	150	283	60
200	398	452	485	200	283	60
230	398	452	485	230	283	60

## Note

- The dimensions are in mm.
- D is the recess size.

## Air direction



Discharge angle depends on the primary air temperature.

## Fitting instructions

- At the top of the diffuser, there is a sticker with the text 'High'.
- If the diffuser is fitted with the sticker facing up, the air will be directed downwards during heating and upwards during cooling.
- After fitting, the maximum angle must be set for cooling and heating.
- The mechanism can be adjusted with a standard cross-head screwdriver.
- Remove the cover ring from the diffuser and set the required angles.

## Selection details

### JTKTO-OA

air volume		model	throw m	$\Delta p_s$ Pa	$L_{pA}$ dB(A)
m <sup>3</sup> /s	m <sup>3</sup> /h				
0.020	<b>72</b>	<b>80</b>	<b>9.7</b>	10	-
0.025	<b>90</b>	<b>80</b>	<b>11.2</b>	16	-
0.030	<b>108</b>	<b>80</b>	<b>12.5</b>	23	-
0.040	<b>144</b>	<b>80</b>	<b>14.5</b>	40	-
0.050	<b>180</b>	<b>80</b>	<b>16.0</b>	63	13
		<b>110</b>	<b>13.3</b>	18	-
0.060	<b>216</b>	<b>80</b>	<b>17.3</b>	90	17
		<b>110</b>	<b>14.6</b>	25	-
0.080	<b>288</b>	<b>110</b>	<b>16.4</b>	45	13
		<b>150</b>	<b>13.5</b>	13	-
0.100	<b>360</b>	<b>110</b>	<b>18.0</b>	70	19
		<b>150</b>	<b>14.9</b>	21	-
0.125	<b>450</b>	<b>110</b>	<b>19.4</b>	109	24
		<b>150</b>	<b>16.3</b>	32	-
0.150	<b>540</b>	<b>150</b>	<b>17.4</b>	46	14
		<b>200</b>	<b>15.6</b>	15	-
0.200	<b>720</b>	<b>150</b>	<b>19.3</b>	81	21
		<b>200</b>	<b>17.4</b>	26	-
		<b>230</b>	<b>17.7</b>	15	-
0.300	<b>1,080</b>	<b>200</b>	<b>20.0</b>	58	16
		<b>230</b>	<b>20.4</b>	33	10
0.400	<b>1,440</b>	<b>200</b>	<b>21.8</b>	102	24
		<b>230</b>	<b>22.4</b>	59	19

## General

- The throw is given without ceiling influence.
- The pressure loss applies without a volume unit.
- The assumed room attenuation is 10 dB.
- It is permitted to interpolate the interim values.