

# PRVM/PRTM

## Perforated diffuser

## Return

## T-bar mounted in modular ceiling

### Use

The PRVM perforated diffuser is suitable for air extraction and has the same appearance as the supply diffuser PTVM.

The diffuser can be T-bar mounted in a modular ceiling with a panel size of 600 mm and can be fitted with an insulated or uninsulated plenum box, which is supplied ready assembled. As standard, the plenum box is equipped with 8 mm hanging holes in the raised edge of the plenum.

### Version

#### Perforated diffuser

Front face: steel  
 post-treatment: epoxy  
 colour: white RAL 9010, optional RAL colour of your choice

#### Plenum box

material: sendzimir galvanised steel  
 internal insulation: 1/2" duct liner  
 post-treatment: none

#### Optional

panel size: up to 750 mm  
 plenum box: flat-sided

### SA-Select

Check [SA-select](#) to create extended order codes and selection details online. **NB!** At this moment, SA-Select is only available in Dutch. But it is possible to create extended order codes and selection details online.

### Available types

#### PR - M - O -

**P** perforated ceiling diffuser  
**R** return

#### - Face plate

**V** flat  
**T** 8 mm dropped  
 (fully perforated, only in combination with ceiling version I)

**M** modular ceiling, panel size 600 mm

#### - Ceiling version (see table on [page 18](#))

**I** T-bar mounted  
**A** concealed panel (concealed ceiling version)  
**B** concealed panel (concealed ceiling version)  
**C** concealed panel (concealed ceiling version)

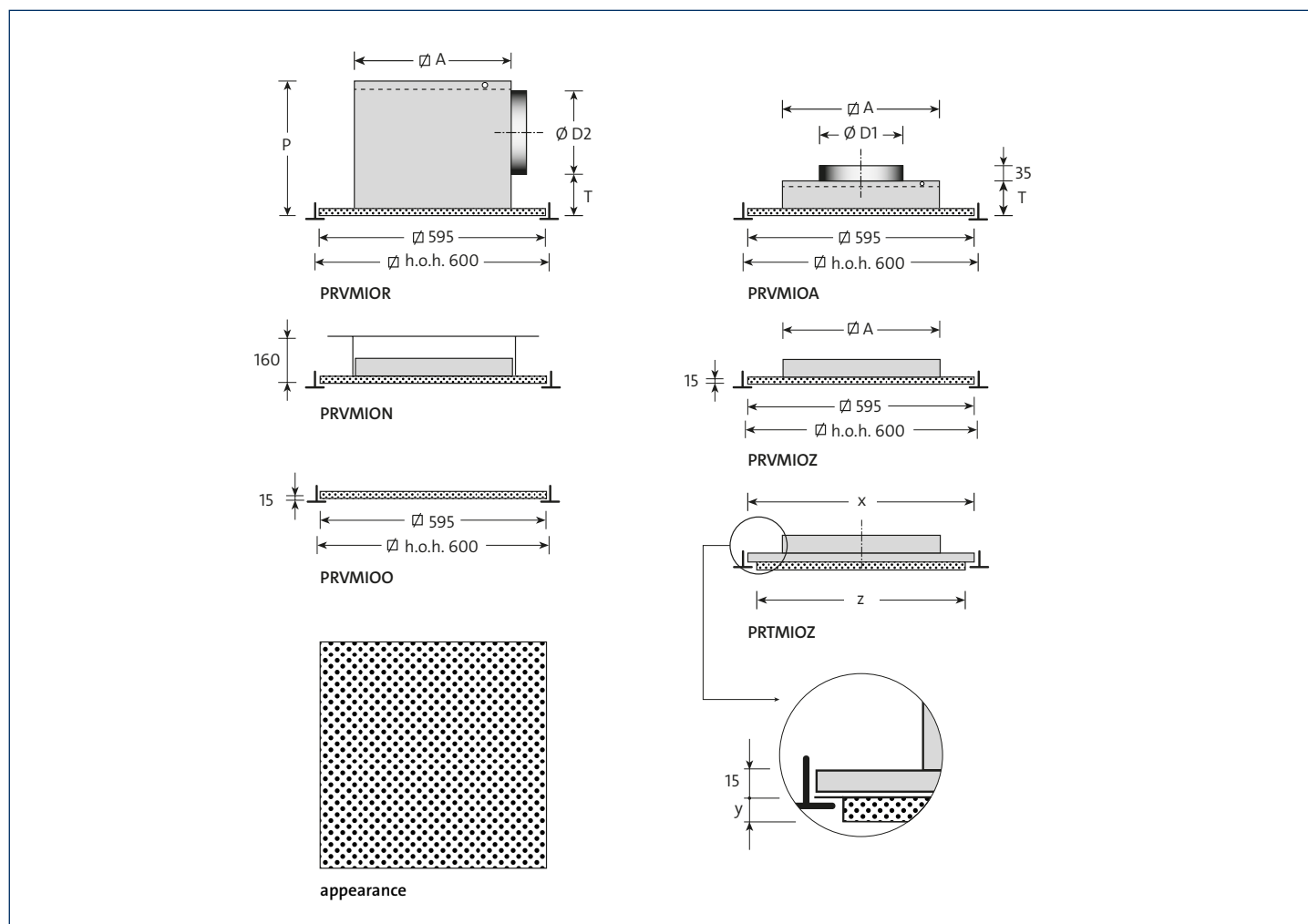
**O** no accessories

#### - Version

**A** round top connection  
**N** without plenum, with separate sightproof cover\*  
 (PRV---N to model 550)  
 (PRT---N to model 500)  
**O** panel only  
**R** assembled, internally insulated plenum box  
**U** assembled, uninsulated plenum box  
**Z** square top connection

\* Sightproof cover; see also [PRIMON](#) on our website.

## Dimensions



## Available dimensions and sizes

model	A	D1	D2	T	P
250	242	123	123	70	235
300	307	158	158	70	270
400	382	198	198	75	315
500	477	248	198	85	325
550	551	313	248	105	395

## Weight

model	type	
	without plenum OA	with plenum OR/OU
	kg	kg
250	3.2	4.4
300	3.1	4.8
400	2.9	5.5
500	2.6	6.1
550	2.5	7.2

- PRVMIOO perforated panel only: 1.2 kg.

## Note

- The dimensions are in mm.
- For the PRTM version with a flat-sided front, the dimensions  $x$ ,  $y$  and  $z$  must be given in the order.  
 $x - z \geq 12$  mm (model 550:  $z = 583$  mm).  
 $y \geq 6$  mm.
- Information regarding flat-sided plenum boxes is available on our [website](#).

## Selection details

### PRVM-OR, PRVM-OA and PRVM-OU

air volume		round connection		
m <sup>3</sup> /s	m <sup>3</sup> /h	model	$\Delta p_s$ Pa	L <sub>pA</sub> dB(A)
0.015	54	250	1	-
0.020	72	250	3	-
0.025	90	250	4	-
		300	1	-
0.030	108	250	6	-
		300	2	-
0.040	144	250	11	-
		300	4	-
		400	1	-
0.050	180	250	16	12
		300	6	-
		400	2	-
0.060	216	250	24	17
		300	9	-
		400	3	-
		500	3	-
0.080	288	300	15	13
		400	6	-
		500	5	-
0.100	360	550	3	-
		300	24	19
		400	9	-
0.125	450	500	8	-
		550	4	-
		400	14	15
0.150	540	500	12	15
		550	6	-
		400	21	20
0.200	720	500	18	20
		550	9	10
		500	31	27
0.250	900	550	16	17
0.300	1080	550	25	23
			35	28

### PRVM-OZ and PRVM-ON

air volume		square connection		
m <sup>3</sup> /s	m <sup>3</sup> /h	model	$\Delta p_s$ Pa	L <sub>pA</sub> dB(A)
0.080	288	250	9	10
		300	3	-
0.100	360	250	13	15
		300	5	-
		400	2	-
0.125	450	250	21	21
		300	8	11
		400	3	-
0.150	540	250	30	25
		300	11	15
		400	4	-
		500	2	-
0.200	720	250	54	32
		300	20	22
		400	8	13
		500	3	-
		550	2	-
0.300	1080	300	45	32
		400	18	23
		500	7	14
		550	3	-
0.400	1440	300	79	39
		400	32	30
		500	13	21
		550	6	14
0.500	1800	400	49	35
		500	20	26
		550	10	19
0.600	2160	400	71	39
		500	29	31
		550	14	23
0.800	2880	500	51	37
		550	24	30
1.000	3600	550	38	36

### PR-MIOO only panel 595

air volume		model	$\Delta p_s$ Pa	L <sub>pA</sub> dB(A)
m <sup>3</sup> /s	m <sup>3</sup> /h			
0.200	720	550	2	-
0.300	1080	550	3	-
0.400	1440	550	6	14
0.500	1800	550	10	19
0.600	2160	550	14	23
0.800	2880	550	24	30
1.000	3600	550	38	36

### Attenuation values plenum box

model	attenuation values						
	125	250	500	1k	2k	4k	Hz
250	5	0	3	10	5	11	dB
300	3	1	6	7	7	9	dB
400	2	2	9	7	7	9	dB
500	2	4	9	7	7	10	dB
550	0	6	7	7	6	9	dB

### General

- The assumed room attenuation is 10 dB.
- It is permitted to interpolate the interim values.

## Concealed ceiling version

manufacturer	product/type	version
<b>Ecophon</b>	Focus™ Ds	B
	Hygiene Labotec™ Ds C1	B
	Sombra™ Ds	B
	Combison Uno™ Ds	B
<b>OWA</b>	Cosmos	A
	Sinfonia	A
<b>Rockfon</b>	Sonar system D	A
	Krios System D	A
	Sonar system X	C
	Krios System X	C

