



RRGD/RRGT

Swirl diffuser

Return

Surface-mounted, T-bar mounted

Use

The RRGD swirl diffuser is suitable for air extraction and has the same appearance as the supply diffuser RTGD.

The diffuser can be fitted in the ceiling and can be fitted with an insulated or uninsulated plenum box, which is supplied separately. As standard, the plenum box is equipped with 8 mm hanging holes in the raised edge of the plenum. Model 600 is also suitable for T-bar mounting in a centre-to-centre 600 mm modular ceiling.

Version

Swirl diffuser

front face: steel
 post-treatment: epoxy
 colour: white RAL 9010, optional RAL colour of your choice

Plenum box

material: sendzimir galvanised steel
 internal insulation: 1/2" duct liner
 post-treatment: none

Optional:

pattern blades: synthetic, colour black or white
 plenum box: flat-sided ([on our website](#))

SA-Select

Check [SA-select](#) to create extended order codes and selection details online. **NB!** At this moment, SA-Select is only available in Dutch. But it is possible to create extended order codes and selection details online.

Available types

RRG - O -

- R** swirl diffuser
- R** return, without pattern blades
- G** no discharge direction

- Ceiling version

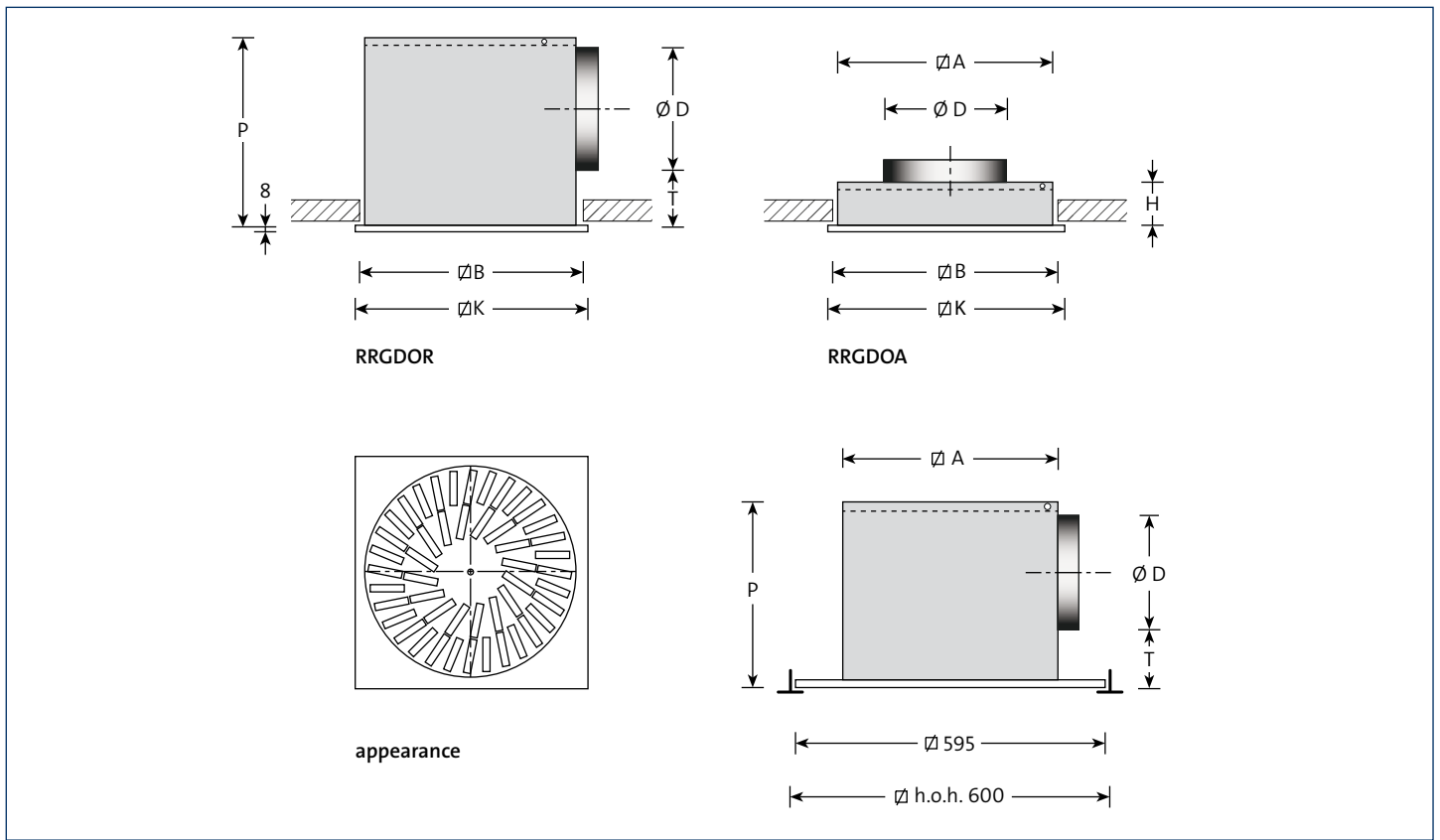
- D** surface-mounted/T-bar mounted
- T** T-bar panel dropped 13 mm

- O** no accessories

- Version

- A** round top connection
- O** panel only
- R** internally insulated plenum box (supplied separately)
- U** uninsulated plenum box (supplied separately)

Dimensions



Available dimensions and sizes

model	B	K	D	A	P	T	H
300/8	285	295	158	280	260	65	190
400/16	378	395	198	373	300	65	190
500/16	478	495	198	373	300	65	190
600/16	578	595	198	373	300	65	190
500/24	478	495	198	473	310	75	190
600/24	578	595	248	573	360	75	190
600/48	585	595	248	580	370	85	290

Note

- The dimensions are in mm.
- The models 600/16, 600/24 and 600/48 are suitable for T-bar mounting in a modular ceiling with a centre-to-centre size of 600 mm.
- As an adjusted version, the smaller models are also available for modular ceilings.
- Dropped T-bar panels are available, except for model 600/48 (type RRGD).

Selection details

RRG--(R,U) (round side connection) details without pattern blades

air volume		model									
		300/8		400/16, 500/16 600/16		500/24		600/24		600/48	
m ³ /s	m ³ /h	Δp_s Pa	L _{pA} dB(A)	Δp_s Pa	L _{pA} dB(A)	Δp_s Pa	L _{pA} dB(A)	Δp_s Pa	L _{pA} dB(A)	Δp_s Pa	L _{pA} dB(A)
0.050	180	16	9								
0.060	216	24	15								
0.070	252	32	19								
0.080	288	42	23	14	9						
0.100	360	66	30	21	16	13	9				
0.125	450	103	37	33	23	20	15				
0.150	540			48	28	29	21	13	10		
0.200	720			85	37	52	30	23	19	18	15
0.250	900					82	37	36	26	29	21
0.300	1080					118	42	51	31	41	27
0.350	1260							70	36	56	32
0.400	1440							91	40	73	36
0.450	1620									93	39

RRG--A (round top connection) details without pattern blades

air volume		model									
		300/8		400/16, 500/16 600/16		500/24		600/24		600/48	
m ³ /s	m ³ /h	Δp_s Pa	L _{pA} dB(A)	Δp_s Pa	L _{pA} dB(A)	Δp_s Pa	L _{pA} dB(A)	Δp_s Pa	L _{pA} dB(A)	Δp_s Pa	L _{pA} dB(A)
0.030	108	4	-								
0.040	144	7	-								
0.050	180	12	7								
0.060	216	17	13								
0.070	252	23	18								
0.080	288	30	22	11	9						
0.100	360	47	28	17	16	12	8				
0.125	450	73	35	26	22	19	14	8	6		
0.150	540			38	28	27	20	12	12	10	6
0.200	720			67	37	48	29	21	20	18	15
0.250	900					75	36	34	27	28	22
0.300	1080					108	41	48	33	40	27
0.350	1260							66	37	55	32
0.400	1440							86	41	72	36
0.450	1620									91	40

General

- The assumed room attenuation is 10 dB.
- It is permitted to interpolate the interim values.

View of swirl pattern

