



RTGD/RTGT

Swirl diffuser

Supply

Surface-mounted, T-bar mounted

Adjustable discharge direction

Use

The RTGD swirl diffuser is suitable for supplying cooled or heated air with a large temperature difference in respect of the room temperature and can be used with constant and variable-volume systems. Adjustable discharge direction The diffuser can be fitted in the ceiling and can be fitted with an insulated or uninsulated plenum box, which is supplied separately. As standard, the plenum box is equipped with 8 mm hanging holes in the raised edge of the plenum. Model 600 is also suitable for T-bar mounting in a centre-to-centre 600 mm modular ceiling. With the unique high induction swirl effect, a large number of air changes is feasible. With the extremely shallow inflow pattern, the RTGD diffuser is also suitable for slightly lower rooms.

Characteristics

Max. number of air changes:	up to 12 x
Undertemperature:	up to 10 K
Overtemperature:	up to 15 K

Version

Swirl diffuser

front face:	steel
post-treatment:	epoxy
colour:	white RAL 9010, optional RAL colour of your choice
pattern blades:	synthetic
colour:	black

Plenum box

material:	sendzimir galvanised steel
internal insulation:	1/2" duct liner
post-treatment:	none

Optional

pattern blades	
colour:	white
plenum box:	flat-sided (see our website)

SA-Select

Check [SA-select](#) to create extended order codes and selection details online. **NB!** At this moment, SA-Select is only available in Dutch. But it is possible to create extended order codes and selection details online.

Available types

RTG - O -

- R** swirl diffuser
- T** supply, with pattern blades
- G** adjustable discharge direction

- Ceiling version

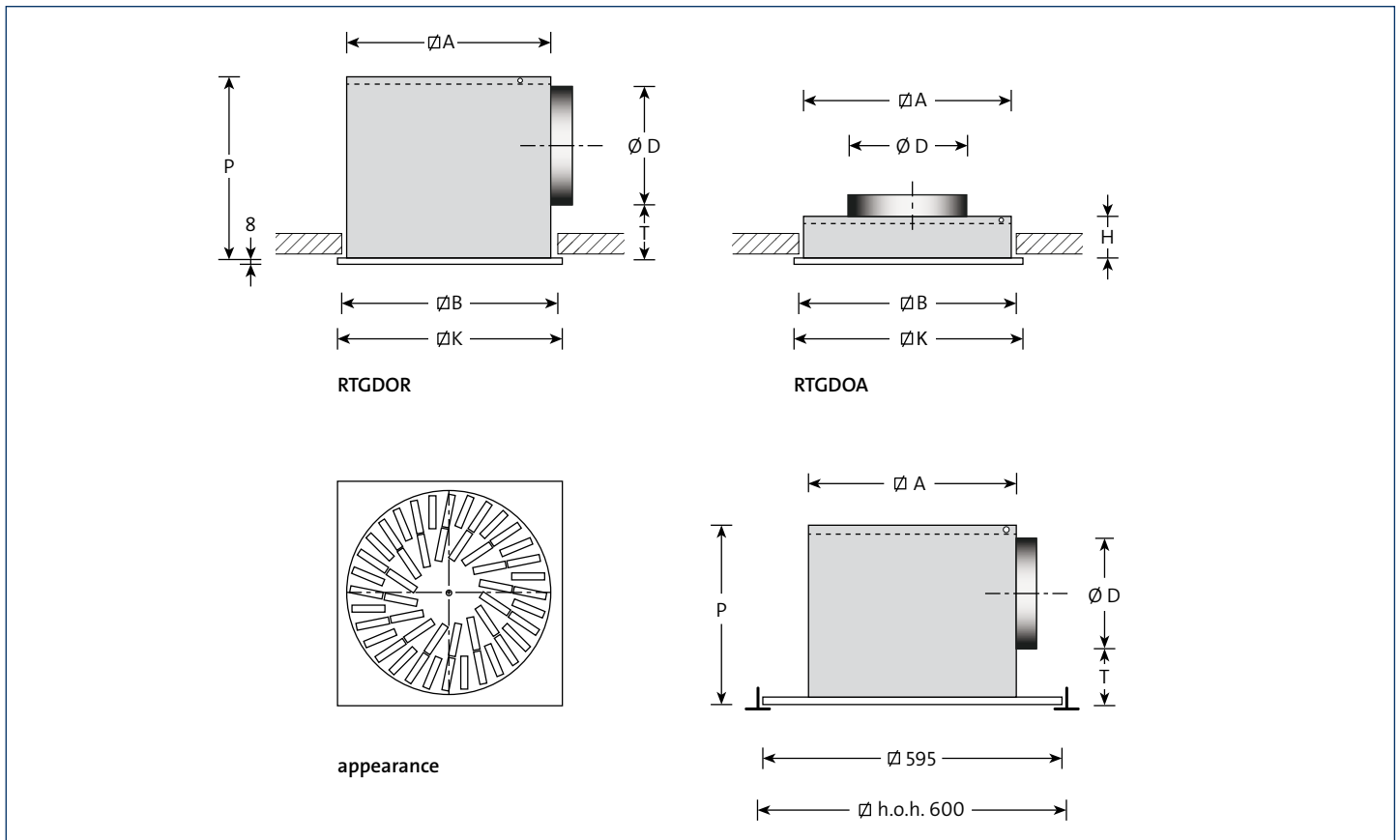
- D** surface-mounted/T-bar mounted
- T** T-bar panel dropped 13 mm

O no accessories

- Version

- A** round top connection
- R** internally insulated plenum box (supplied separately)
- U** uninsulated plenum box (supplied separately)

Dimensions



Available dimensions and sizes

model	B	K	D	A	P	T	H
300/8	285	295	158	280	260	65	190
400/16	378	395	198	373	300	65	190
500/16	478	495	198	373	300	65	190
600/16	578	595	198	373	300	65	190
500/24	478	495	198	473	310	75	190
600/24	578	595	248	573	360	75	190
600/48	585	595	248	580	370	85	290

Note

- The dimensions are in mm.
- The models 600/16, 600/24 and 600/48 are suitable for T-bar mounting in a modular ceiling with a centre-to-centre size of 600 mm.
- As an adjusted version, the smaller models are also available for modular ceilings.
- Dropped T-bar panels are available, except for model 600/48.

Selection details

RTGD/RTGT

air volume		model														
		300/8			400/16, 500/16, 600/16			500/24			600/24			600/48		
m ³ /s	m ³ /h	throw m	Δp_s Pa	L _{pA} dB(A)	throw m	Δp_s Pa	L _{pA} dB(A)	throw m	Δp_s Pa	L _{pA} dB(A)	throw m	Δp_s Pa	L _{pA} dB(A)	throw m	Δp_s Pa	L _{pA} dB(A)
0.015	54	0.7	3	-												
0.020	72	0.9	6	-												
0.025	90	1.1	9	10												
0.030	108	1.3	12	15	1.1	3	-									
0.040	144	1.6	22	22	1.3	6	-	1.1	3	-						
0.050	180	1.9	34	28	1.4	9	13	1.3	4	-						
0.060	216	2.1	50	33	1.6	14	17	1.4	6	12	1.3	2	-			
0.070	252	2.4	68	37	1.7	18	21	1.6	8	16	1.4	3	-			
0.080	288	2.6	88	40	1.8	24	25	1.7	11	19	1.5	4	7			
0.100	360				2.0	38	31	2.0	17	25	1.7	7	13	1.8	5	-
0.125	450				2.3	59	37	2.3	26	31	1.9	11	19	1.9	7	13
0.150	540							2.6	38	35	2.1	15	23	2.0	10	18
0.200	720										2.5	27	31	2.2	18	26
0.250	900										2.8	42	37	2.4	28	31
0.300	1080													2.5	41	36

General

- The throw applies to flush-mounting in a flat, closed ceiling.
- The assumed room attenuation is 10 dB.
- It is permitted to interpolate the interim values.

View of swirl pattern

