



RTL@

Louvre diffusers Supply Surface-mounted/Suspended Adjustable internal unit

Available types

RTL@ -

- R** round
- T** supply
- L** flat adjustable louvres
- D** surface-mounted

- Accessories

- O** none
- C** fitting bracket for blind fitting
(only for round top connection)

- Version

- A** round top connection
- R** internally insulated plenum box (supplied separately)
- U** uninsulated plenum box (supplied separately)

SA-Select

Check SA-Select to create extended order codes and selection details online. **NB!** At this moment, SA-Select is only available in Dutch. But it is possible to create extended order codes and selection details online.

Use

The round RTL@ diffuser is suitable for supplying cooled or heated air with a large temperature difference in respect of the room temperature. The diffuser can be fitted in the ceiling or suspended. The discs of the internal unit can be adjusted without requiring tools. A matching insulated or uninsulated plenum box with a side connection can be supplied separately. As standard, the plenum box is equipped with 8 mm hanging holes in the raised edge of the plenum.

Characteristics

Max. number of air changes:	up to 10 x
Undertemperature:	up to 10 K
Overtemperature:	up to 15 K

Version

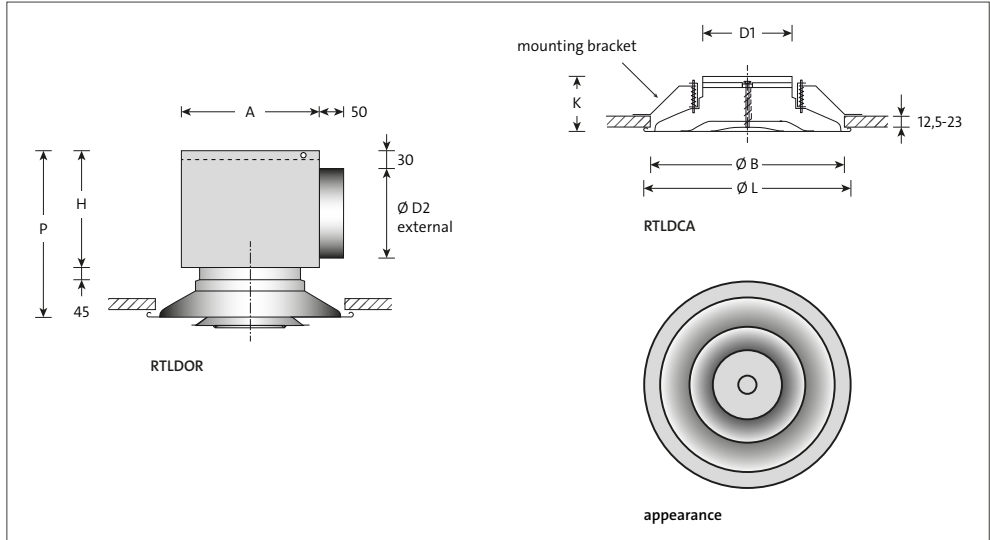
Round diffuser

Louvres:	aluminium
Post-treatment:	epoxy
Colour:	white RAL 9010, optional RAL colour of your choice

Plenum box

Material:	sendzimir galvanised steel
Post-treatment:	none
Internal insulation:	1/2" duct liner

Dimensions



Available dimensions and sizes

model	A	B	D1	D2	H	L	P	K
160	220	303	157	158	206	331	324	101
200	260	385	197	198	245	425	378	115
250	310	464	247	248	296	492	427	114
315	375	564	313	313	361	591	514	137
400	460	630	398	398	446	662	593	131
500	560	793	497	498	546	832	749	163

Note

- The listed dimensions are in mm.
- Size B is the recess dimension.

General

- The throw applies to flush-mounting in a flat, closed ceiling; in the absence of a flat, closed ceiling a throw reduction of 40 % is to be applied.
- The assumed room attenuation is 10 dB.
- It is permitted to interpolate the interim values.
- If the diffuser is used as a return diffuser, the following applies:

$$\Delta P_s \times 1.2$$

$$L_{pA} + 3$$

Selection details

RTLD

air volume		model	throw m	Δp_s Pa	L_{pA} dB(A)
m ³ /s	m ³ /h				
0.030	108	160	1.3	3	-
		160	1.3	6	-
0.040	144	160	1.8	13	-
		200	1.5	4	-
		160	2.2	14	23
0.050	180	200	1.7	5	-
		160	2.9	25	32
		200	2.4	10	20
0.060	216	250	2.0	4	-
		160	3.8	40	40
		200	2.9	15	25
0.080	288	250	2.5	6	-
		200	3.8	25	33
		250	3.0	9	20
0.100	360	315	2.6	4	-
		200	5.0	40	39
		250	3.8	15	26
0.125	450	315	3.2	6	-
		250	4.8	25	33
		315	4.0	10	20
0.150	540	400	3.3	4	-
		250	6.0	40	40
		315	3.2	6	-
0.200	720	250	4.8	25	33
		315	4.0	10	20
		400	3.3	4	-
0.250	900	250	6.0	40	40
		315	5.0	15	25
		400	4.0	6	-
0.300	1080	315	6.0	24	32
		400	5.2	9	20
		500	4.0	3	-
0.400	1440	315	6.6	40	42
		400	6.4	15	28
		500	5.6	7	-
0.500	1800	400	7.2	35	40
		500	5.8	12	24
0.600	2160	500	8.0	16	30
0.700	2520	500	9.0	20	37