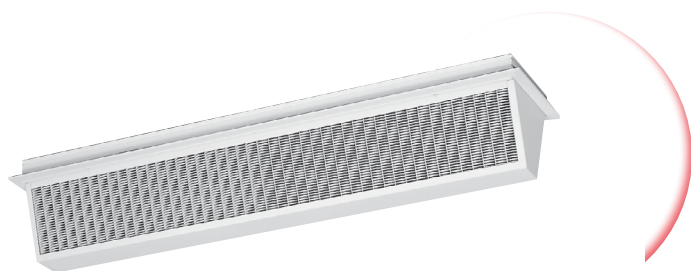


TTHA/TTPA

Baffle-plate diffuser

Supply

Surface-mounted, T-bar mounted, high induction



Use

The TTHA and TTPA baffle-plate diffusers have an extremely high capacity, and are suitable for supplying cooled or heated air with a large temperature difference in respect of the room temperature.

The TTHA type has a spreading high-induction internal unit. The TTPA type has a perforated cover plate, making it easy to clean. The baffle-plate diffuser has been designed specifically for laboratories, computer rooms, kitchens, operating rooms, etc. A corresponding insulated or uninsulated plenum box can be supplied separately.

Characteristics

Max. number of air changes

type TTHA:	up to 68 x
type TTPA:	up to 60 x
Undertemperature	up to 10 K
Overtemperature	up to 15 K

Version

Baffle-plate diffuser

frame:	extruded aluminium
internal unit:	steel
post-treatment:	epoxy
colour:	white RAL 9010, optional RAL colour of your choice

Volume unit

frame and blades:	extruded aluminium
post-treatment:	none

Plenum box

material:	sendzimir galvanised steel
internal insulation:	1/2" duct liner
post-treatment:	none

SA-Select

Check [SA-select](#) to create extended order codes and selection details online. **NB!** At this moment, SA-Select is only available in Dutch. But it is possible to create extended order codes and selection details online.

Available types

TT - A - -

- T baffle-plate diffuser
- T supply

- Function

- H high-induction internal unit
- P perforated view high-induction internal unit

- A frame 25 mm removable internal unit

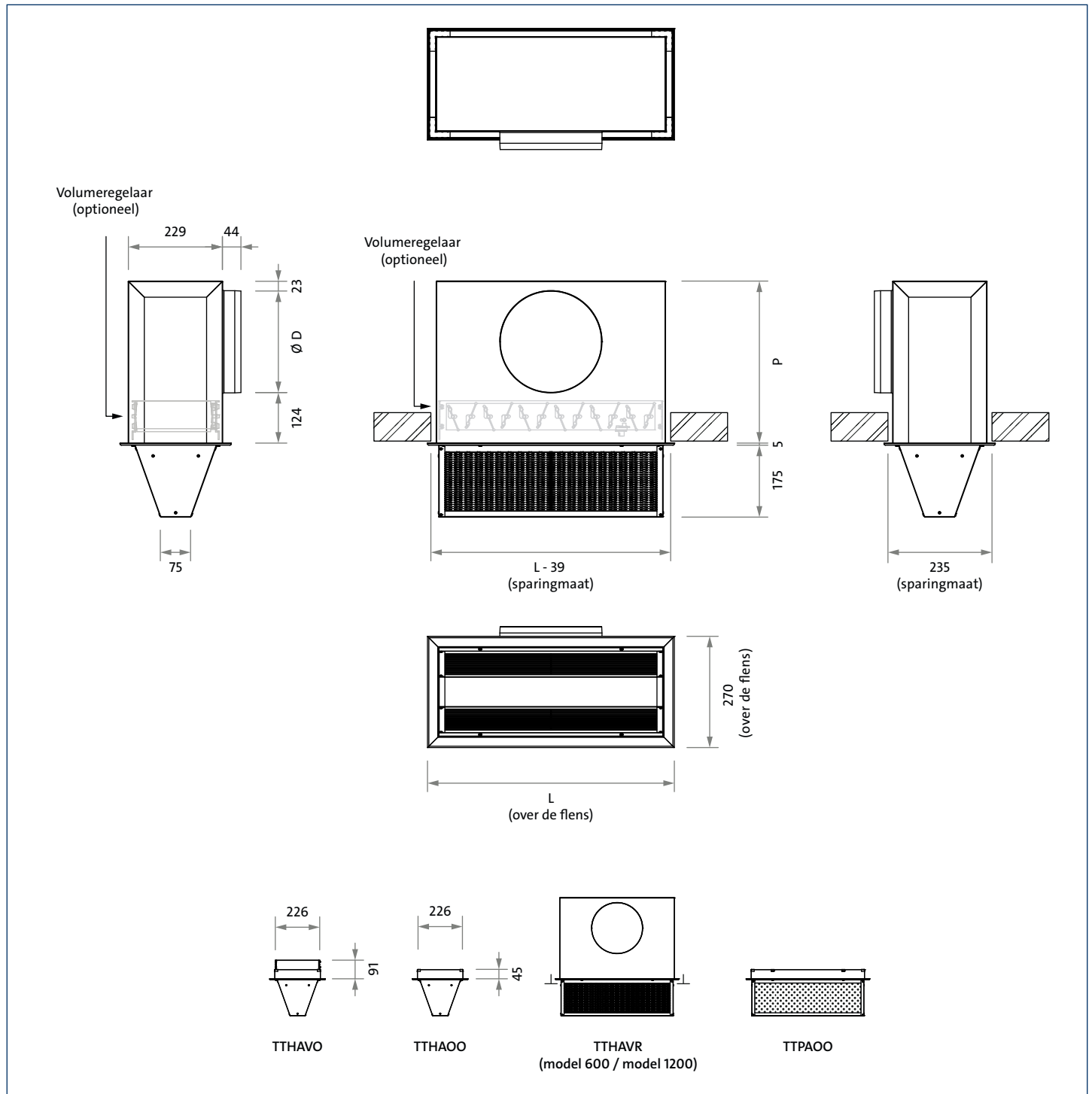
- Accessories

- O none
- V volume unit (on the diffuser)

- Version

- O not applicable
- R internally insulated plenum box (supplied separately)
- U uninsulated plenum box (supplied separately)

Dimensions



Available dimensions and sizes

model	L	D	P
600	595	248	395
750	799	313	460
900	949	313	460
1200	1195	353	500

Note

- The dimensions are in mm.
- Information regarding flat-sided plenum boxes is available on our [website](#).
- The models 600 and 1200 mm are 595 and 1195 mm over the frame and are for T-bar mounting in 600 mm centre-to-centre modular ceilings.

Selection details

TTHA

air volume		model											
		600			750			900			1200		
m ³ /s	m ³ /h	throw m	Δp_s Pa	L _{pA} dB(A)	throw m	Δp_s Pa	L _{pA} dB(A)	throw m	Δp_s Pa	L _{pA} dB(A)	throw m	Δp_s Pa	L _{pA} dB(A)
0.125	450	1.4	2	13									
0.150	540	1.8	3	18	1.4	3	14						
0.200	720	2.4	5	26	2.0	5	21	1.7	2	18			
0.250	900	3.1	7	31	2.6	7	27	2.2	4	23	1.6	2	17
0.300	1080				3.1	11	32	2.7	5	28	2.0	3	22
0.400	1440				4.4	19	40	3.7	9	36	2.8	5	29
0.500	1800							4.7	15	42	3.6	7	35
0.600	2160										4.4	10	40

Selection details

TTPA

air volume		model											
		600			750			900			1200		
m ³ /s	m ³ /h	throw m	Δp_s Pa	L _{pA} dB(A)	throw m	Δp_s Pa	L _{pA} dB(A)	throw m	Δp_s Pa	L _{pA} dB(A)	throw m	Δp_s Pa	L _{pA} dB(A)
0.080	288	1.0	1	-									
0.100	360	1.2	2	11	1.0	2	-						
0.125	450	1.6	3	18	1.3	3	13	1.1	2	9			
0.150	540	2.0	4	22	1.6	4	18	1.3	2	14			
0.200	720	2.7	8	30	2.2	7	25	1.8	4	21	1.4	2	15
0.250	900	3.5	12	36	2.8	11	31	2.4	6	27	1.8	3	21
0.300	1080				3.5	16	36	2.9	9	32	2.2	5	25
0.400	1440							4.0	16	39	3.1	8	33
0.500	1800										4.0	13	39

General

- The throw is given for a spreading discharge pattern (standard).
- With a straight flow, the throw is the table value x 1.55. Available on request.
- If diffusers are fitted together to lengths that exceed 1200 mm, the throw given in the table has to be multiplied by 1.85.
- The pressure loss applies to a fully opened volume unit.
- The assumed room attenuation is 10 dB.
- It is permitted to interpolate the interim values.