



WTRP/WRRP

Wall diffuser

Supply/Return

Vandal-proof

Use

The WTRP wall diffuser is suitable for supplying cooled air with a large temperature difference in respect of the room temperature. The strong finish makes the diffuser suitable for rooms subject to vandalism, such as police cells.

The diffuser cannot be removed from the front, it is fitted from the back.

It is possible to put a BFDC fire-resistant butterfly valve in the duct.

The WRRP type is suitable for return air and has the same appearance as the supply diffuser WTRP.

Characteristics

Free flow: 45 %

Version

Wall diffuser

frame: steel 3 mm
 perforated: steel
 internal unit: steel
 post-treatment: epoxy
 colour: white RAL 9010, optional RAL colour of your choice

Section

material: sendzimir galvanised steel

SA-Select

[Check SA-select](#) to create extended order codes and selection details online. **NB!** At this moment, SA-Select is only available in Dutch. But it is possible to create extended order codes and selection details online.

Available types

W - R P - S

W wall diffuser

- Supply/Return

T supply

R return

R round, perforated

P vandal-proof

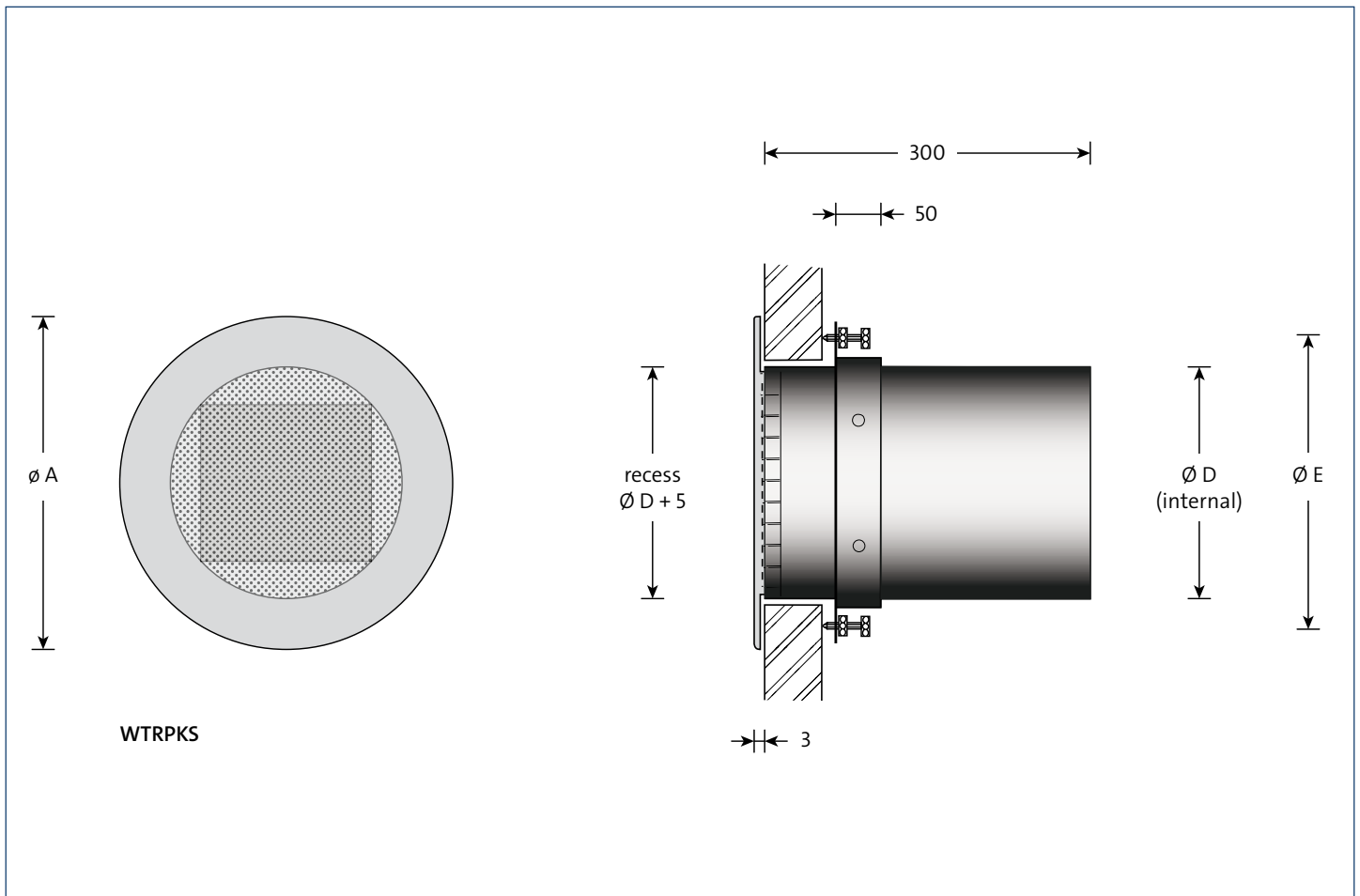
- Accessories

O none

K clamp ring

S section, 300 mm

Dimensions



Available dimensions and sizes

model	A	D	E
160	240	160	210
200	280	200	250

Note

- The dimensions are in mm.
- Fit the diffuser to maximum 0.2 m below the ceiling.
- If the distance below the ceiling is greater, the Coanda effect will be small during cooling and this may create an unstable air pattern.

Selection details

WTRP

air volume		model 160			model 200		
m ³ /s	m ³ /h	throw m	Δp_s Pa	L _{pA} dB(A)	throw m	Δp_s Pa	L _{pA} dB(A)
0.015	54	3.2	13	-	2.0	5	-
0.020	72	4.3	24	16	2.7	9	-
0.030	108	6.3	53	28	4.0	19	15
0.040	144				5.1	34	24
0.050	180				6.3	53	30
0.060	216				7.5	77	36

WRRP

air volume		model 160		model 200	
m ³ /s	m ³ /h	Δp_s Pa	L _{pA} dB(A)	Δp_s Pa	L _{pA} dB(A)
0.015	54	14	-	6	-
0.020	72	26	21	10	-
0.030	108	58	33	21	20
0.040	144			37	29
0.050	180			58	35
0.060	216			85	41

General

- The pressure loss applies to a fully opened volume unit.
- The assumed room attenuation is 10 dB.
- It is permitted to interpolate the interim values.